

LGMG

AR20J/AR20JE

ARTICULATING BOOM LIFT

- 260/350kg dual-capacity design, 2.44m triple entry platform.
- Oscillating, full-time floating axels allow the wheels to grip to the ground when navigating hard, uneven terrain.
- Integrated four-wheel-drive system provide strong power, smooth transmission, and 45% gradeability.
- Equipped with three steering modes; four-wheel steering, crab steering, and front-wheel steering, and equipped with one-touch wheel alignment.
- Proportional lift and drive controls deliver smoother maneuvering, precise positioning and comfortable operation.



LGMG Diesel - Articulating Boom Lift

SPECIFICATIONS

Models	AR20J (AR65J)		AR20JE (AR65JE)	
Measurements	Metric	Imperial		
Work Height Max.	21.58m	70'10"	21.58m	70'10"
Platform Height	19.58m	64'3"	19.58m	64'3"
Horizontal Outreach	12.37m	40'7"	12.37m	40'7"
Up and Over Height	8.19m	26'10"	8.19m	26'10"
Platform Length	2.44m	8'	2.44m	8'
Platform Width	0.9m	2'11"	0.9m	2'11"
Platform Capacity	260/350kg	573/772 lbs	260/350kg	573/772 lbs
A Stowed Length	9.42m	30'11"	9.42m	30'11"
B Overall Width	2.5m	8'2"	2.5m	8'2"
C Stowed Height	2.46m	8'1"	2.46m	8'1"
D Wheelbase	2.51m	8'3"	2.51m	8'3"
E Ground Clearance	0.4m	1'4"	0.4m	1'4"

Productivity

Max. Platform Occupancy	2(unrestricted) / 3(restricted)			
Turntable Rotation	360°	360°	360°	360°
Drive Speed-Stowed	5km/h	3.1mph	5km/h	3.1mph
Drive Speed-Raised	0.8km/h	0.5mph	0.8km/h	0.5mph
Gradeability	45%	45%	45%	45%
Max. Wind Speed	12.5m/s	28mph	12.5m/s	28mph
Turning Radius-Inside	1.9m	6'3"	1.9m	6'3"
Turning Radius-Outside	3.9m	12'10"	3.9m	12'10"
Max.Slope	4°/4°	4°/4°	4°/4°	4°/4°
Tires Type	RT Foam-filled			
Tires Size	355/55D625	355/55D625	355/55D625	355/55D625

Power

Power Source	Kubota V2403	80V 271Ah
--------------	--------------	-----------

Hydraulic System

Hydraulic Oil Volume	100L	26.4gal	77L	20.3gal
----------------------	------	---------	-----	---------

Weight

Machine Weight (CE/ANSI)	9850kg	21715 lbs	9700kg	21385 lbs
--------------------------	--------	-----------	--------	-----------

Please contact LGMG or a local dealer for more details.
LGMG reserves the right to change technical data without prior notice. All photos and pictures in this brochure are for promotional purposes only.
This brochure comes into effect in February, 2023.

LINGONG HEAVY MACHINERY CO., LTD.

Address: No. 2676, Kejia Road, Jinan, Shandong, China
Email: sales@lmgm.com.cn Tel: +86 531 6787 9283

LGMG Europe B.V.

Address: Donker Duyvisweg 301, 3316 BL Dordrecht, The Netherlands
Email: sales@lmgmeurope.com Tel: +31 850 642 777

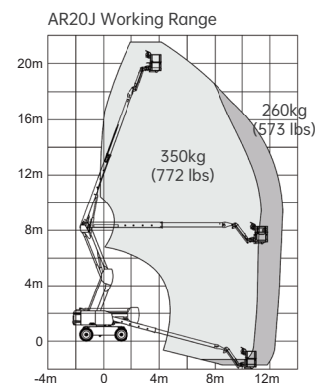
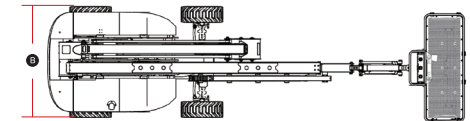
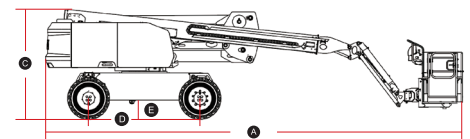
LGMG North America Inc.

Address: 1445 Sheffler Dr, Chambersburg, PA. 17201, USA
Email: sales@lmgmna.com Tel: +1 833 288 5464

www.lmgmlifts.com

STANDARD FEATURES	
RT Foam-filled tires	Auto-leveling platform
Flashing beacons	Emergency stop device
Horn/alarm	Anti-entrapment protection
Floating axle	Upper-control box shield
Platform tool box	Over tilt protection system
Cylinder bellows	Overload sensing system
GPS connector	Intelligent diagnostic system

OPTIONAL	
AC power to platform	Hydraulic generator
Half-height mesh platform	Platform work light
Telematics	



 **LGMG**
RELIABILITY IN ACTION