

Model R3246

SCISSOR LIFTS



MORE ECONOMIC

- Lower Total Cost of Ownership.

MORE PRODUCTIVE

- Boost efficiency with optional AGM batteries.
- Improved uptime.

MORE ACCESS

- Standard equipped with variable tilt technology; indicating the working envelope and platform height limitations when machine is positioned on slight side slopes.

SMART DESIGN

- Improved reliable, simple active pothole protection.
- Unparalleled component access.
- All steel components like platform and service trays.

Standard Features

- 0.91 m roll-out deck extension
- Fold down handrails
- Half swing gate
- Removable platform control box
- Lanyard attach points
- Full proportional drive joystick control with integral thumb steer switch
- Proportional lift/lower speed control
- Joystick enable for lift and drive
- Zero load sensing system
- 4 x 6V 220 A/hr deep cycle batteries
- Automatic positive traction
- Programmable «Personality» settings
- On-board self-diagnostic testing
- Swingout steel battery/electrical compartments doors
- 27amp automatic battery charger
- Front wheel hydraulic drive motors
- Dual wheel automatic brakes (on rear wheels)
- Emergency brake release
- Active pothole protection system
- AC cable to platform
- Battery charge level indicator
- Variable tilt indicator
- Hourmeter
- Lubrication free scissor arm bushings
- Scissor maintenance prop
- Manual descent
- Horn
- Non-marking solid tyres (406 x 127)
- Lifting and tie down points
- Slope alarm and light
- Fork lift pockets

Standard Specifications

- Drive Motors (Nominal) Hydraulic front-wheel
- Batteries 4x 6V 220A/hr
- Charger (120/240V -50/60Hz) 24v @27Amp Automatic
- Pump Motor 4.5kW
- Hydraulic System 21L
- Hydraulic Reservoir Pump Fixed displacement gear
- Tyres (Non-Marking Solid) 323 x 100 mm
- Brakes Hydraulic

Accessories & Options

- 220A/hr maintenance free AGM batteries in lieu of standard
- All motion alarm
- Inboard pipe racks
- Amber strobe light
- Anti-vandalism package
- Multi-display indicator (MDI)
- ClearSky Locate
- ClearSky CAN
- Drive motor covers
- Extension deployment handles
- Synthetic biodegradable hydraulic oil

Model R3246

SCISSOR LIFTS

Performance

• Working Height	11.75 m
• Platform Height - Elevated	9.75 m
A. Stowed Height	2.43 m
B. Platform Height - Lowered	1.29 m
C. Platform Railing Height	1.13 m
D. Stowed Height (Rails Folded)	1.97 m
E. Platform Size Inside (W x L)	1.06 m x 2.13 m
F. Deck Extension	0.91 m
G. Overall Width	1.17 m
H. Overall Length **	2.40 m
I. Wheelbase	1.88 m
J. Ground Clearance (centre of machine)	9.8 cm
Platform Capacity - indoor	👤👤 320 kg (2 people)
Platform Capacity - outdoor	👤 230 kg (1 person)
• Capacity on Deck Extension	120 kg
• Lift/Lower Time (no load)	42/44 sec.
• Maximum Drive Height	9.75 m
• Machine weight *	2,454 kg
• Maximum Ground Bearing Pressure	9,21 kg/cm ²
• Drive Speed - Lowered	3.5 km/h
• Drive Speed - Elevated	0.8 km/h
• Gradeability	25%
Turning Radius - Inside	0.0 m
Turning Radius - Outside	2.37 m

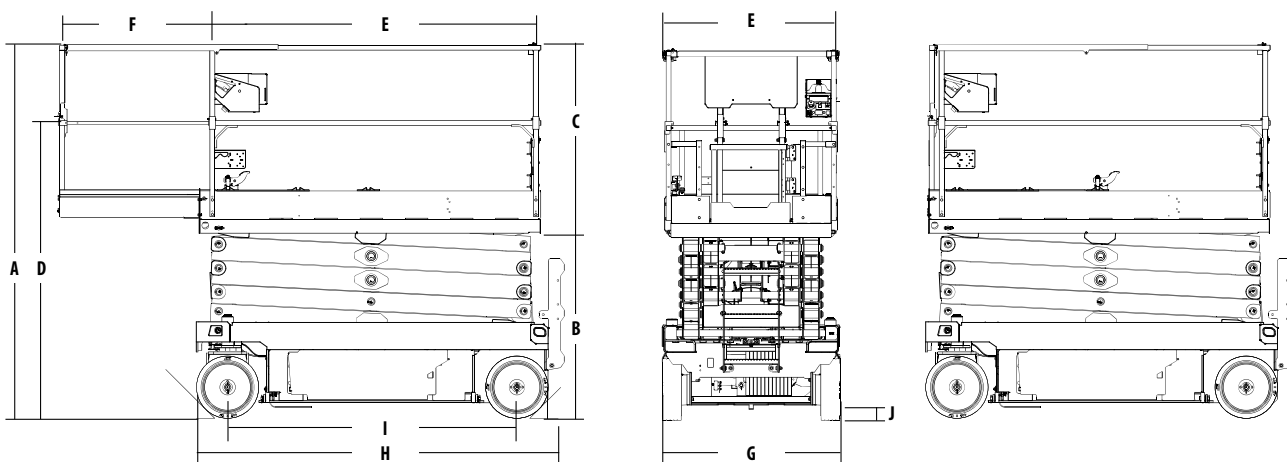


* Certain options or country standards may increase weight and/or dimensions.

** Incl ladder - 7.4cm excl ladder 1532R / 1932R, 10.6 cm - 2632R/3246R and 25.4 cm - 4045R

*** Outdoor measure, full height indoor

Dimensions



JLG EMEA BV

Polaris Avenue 63
2132 JH Hoofddorp
The Netherlands
Phone: +31 (0)23 565 5665
www.jlg.com

An Oshkosh Corporation Company

IMPORTANT

JLG is continually researching and developing products and reserves the right to make modifications without prior notice. All data in this document is indicative. Certain options or country standards will increase weight. Specifications may change to meet country standards or with the addition of optional equipment.

Due to continuous product improvements, JLG Industries reserves the right to make specification and/or equipment changes without prior notification.