

# ARTICULATING BOOM



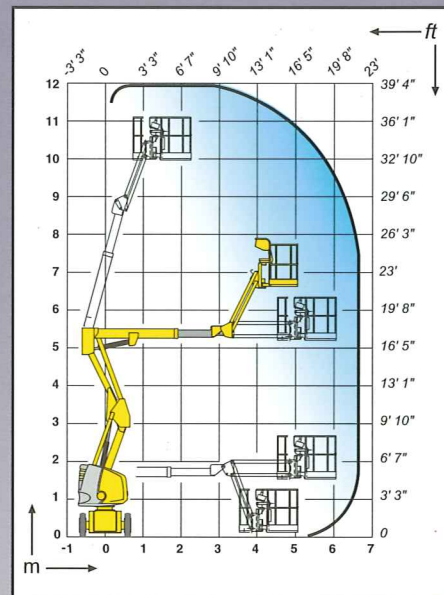
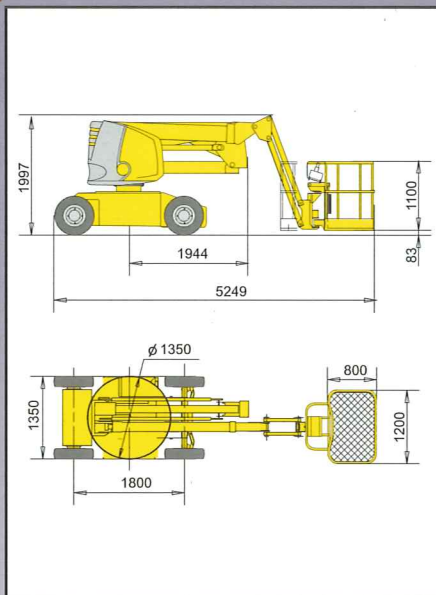
## HA 12 IP

- 140° (+70°/-70°) fly jib range of motion.
- 22 ft (6.7 m) outreach.
- Stowed height 6 ft 6 in (1.99 m).
- Width 4 ft 5 in (1.34 m).
- Full electric drive.
- 12 hrs operating autonomy.



## The Haulotte® advantages

- Electric drive
- Turret rotation 359°
- Stowed height 6 ft 6 in (1.99 m) for easy travel through doorways
- Compact turning radius 9 ft 3 in (2.85 m) and width 4 ft 5 in (1.34 m) allows operation in the most congested areas
- Full proportional controls at basket
- Improved security due to load limiter in the basket
- Robust, reliable and easy to maintain



## STANDARD FEATURES

- 360 Ah traction batteries
- Battery charge indicator light
- 48 V – 50 A battery charger
- Sensitive control box
- 3° tilt alarm
- Non marking tyres
- Hourmeter
- Slewing block pin
- Towing hooks / lifting eyes
- Manual emergency lowering pump
- 2 front wheel drive and 2 back steering wheels
- Load limiter in cage
- Horn

## OPTIONS & ACCESSORIES

- Flashing light
- Working light
- Travel alarm
- Centralised battery filling
- Power line to cage
- Waterproof batteries
- Air line to cage
- Brakes remote control box from lower control box
- Biodegradable oil

## SPECIFICATIONS

Working height	39 ft 4 in	12.0 m
Platform height	32 ft 10 in	10.0 m
Maximum outreach	22 ft	6.7 m
Up and over clearance	17 ft 3 in	5.25 m
Capacity platform	507 lb	230 kg
Fly jib range of motion	140° (+70°/-70°)	140° (+70°/-70°)
<b>A</b> Length	17 ft 3 in	5.43 m
<b>B</b> Width	4 ft 5 in	1.34 m
<b>C</b> Stowed height	6 ft 6 in	1.99 m
<b>D</b> Wheelbase	5 ft 11 in	1.80 m
<b>E</b> Ground clearance	6 in	14 cm
<b>F</b> x <b>G</b> Platform size	47 in X 32 in	1.2 x 0.8 m
Tailswing	0	0
Driving speed	0.4 / 2.7 mph	0.7/4.4 km/h
Outside turning radius	9 ft 4in	2.85 m
Turret rotation	355°	
Hydraulic platform rotation	+80°/-90°	
Energy	48 V (6 x 8 V Batteries 360 Ah)	
Gradeability	25%	
Solid tyres	23 X 10 X 12	
Hydraulic tank	8 gallons	30 l
Total weight	13.010 lb	5.910 kg

AS 1418.10

